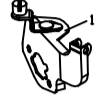
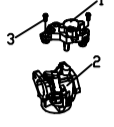
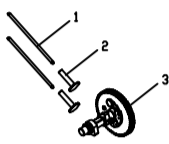
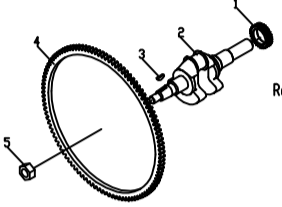
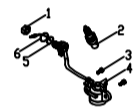
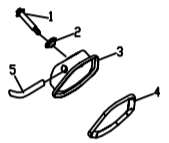
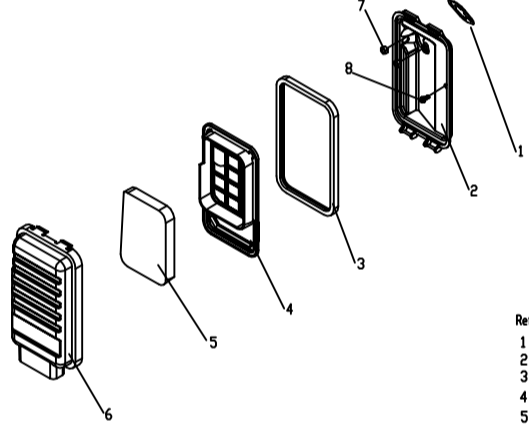
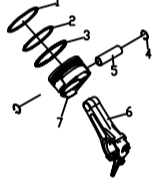
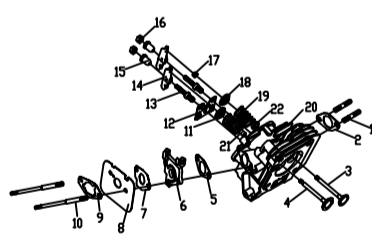
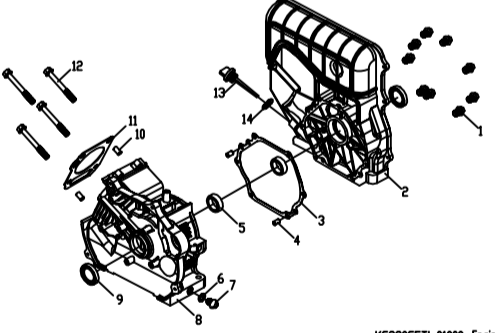
 <p>KG205GETI-15000 Starting Electrical System</p> <table border="1"> <thead> <tr> <th>Ref</th> <th>P/N</th> <th>Description</th> <th>Qty</th> </tr> </thead> <tbody> <tr> <td>1</td> <td>GB/T5789-1986</td> <td>Bolt M6X25</td> <td>2</td> </tr> <tr> <td>2</td> <td>KG205GETI-15100</td> <td>Starting Motor</td> <td>1</td> </tr> </tbody> </table>	Ref	P/N	Description	Qty	1	GB/T5789-1986	Bolt M6X25	2	2	KG205GETI-15100	Starting Motor	1	 <p>KG390GETI-11000 Speed Control & Steering System</p> <table border="1"> <thead> <tr> <th>Ref</th> <th>P/N</th> <th>Description</th> <th>Qty</th> </tr> </thead> <tbody> <tr> <td>1</td> <td>KG390GETI-11000</td> <td>Speed Control & Steering System 1</td> <td>1</td> </tr> </tbody> </table>	Ref	P/N	Description	Qty	1	KG390GETI-11000	Speed Control & Steering System 1	1	 <p>KG280GETI-b-10000 Carburetor Assembly</p> <table border="1"> <thead> <tr> <th>Ref</th> <th>P/N</th> <th>Description</th> <th>Qty</th> </tr> </thead> <tbody> <tr> <td>1</td> <td>KG200GTI-10210</td> <td>Motor Bracket</td> <td>1</td> </tr> <tr> <td>2</td> <td>P21A1-b-000</td> <td>Carburetor</td> <td>1</td> </tr> <tr> <td>3</td> <td>GB/T823-1988</td> <td>Screw M4X8</td> <td>2</td> </tr> </tbody> </table>	Ref	P/N	Description	Qty	1	KG200GTI-10210	Motor Bracket	1	2	P21A1-b-000	Carburetor	1	3	GB/T823-1988	Screw M4X8	2																																																																																																																				
Ref	P/N	Description	Qty																																																																																																																																																							
1	GB/T5789-1986	Bolt M6X25	2																																																																																																																																																							
2	KG205GETI-15100	Starting Motor	1																																																																																																																																																							
Ref	P/N	Description	Qty																																																																																																																																																							
1	KG390GETI-11000	Speed Control & Steering System 1	1																																																																																																																																																							
Ref	P/N	Description	Qty																																																																																																																																																							
1	KG200GTI-10210	Motor Bracket	1																																																																																																																																																							
2	P21A1-b-000	Carburetor	1																																																																																																																																																							
3	GB/T823-1988	Screw M4X8	2																																																																																																																																																							
 <p>KG270-06000 Camshaft Assembly</p> <table border="1"> <thead> <tr> <th>Ref</th> <th>P/N</th> <th>Description</th> <th>Qty</th> </tr> </thead> <tbody> <tr> <td>1</td> <td>KG240-06002</td> <td>Valve Push Rod</td> <td>2</td> </tr> <tr> <td>2</td> <td>KG240-06001</td> <td>Valve Tappet</td> <td>2</td> </tr> <tr> <td>3</td> <td>KG270-06100</td> <td>Camshaft</td> <td>1</td> </tr> </tbody> </table>	Ref	P/N	Description	Qty	1	KG240-06002	Valve Push Rod	2	2	KG240-06001	Valve Tappet	2	3	KG270-06100	Camshaft	1		 <p>KG280GETI-05000 Crankshaft Assembly</p> <table border="1"> <thead> <tr> <th>Ref</th> <th>P/N</th> <th>Description</th> <th>Qty</th> </tr> </thead> <tbody> <tr> <td>1</td> <td>KG240-05002</td> <td>Crankshaft Timing Gear</td> <td>1</td> </tr> <tr> <td>2</td> <td>KG280GETI-05001</td> <td>Crankshaft</td> <td>1</td> </tr> <tr> <td>3</td> <td>KG160-05007</td> <td>Key</td> <td>1</td> </tr> <tr> <td>4</td> <td>KG205GETI-05105a</td> <td>Flywheel Tooth Ring</td> <td>1</td> </tr> <tr> <td>5</td> <td>KG240-05004</td> <td>Flywheel Nut</td> <td>1</td> </tr> </tbody> </table>	Ref	P/N	Description	Qty	1	KG240-05002	Crankshaft Timing Gear	1	2	KG280GETI-05001	Crankshaft	1	3	KG160-05007	Key	1	4	KG205GETI-05105a	Flywheel Tooth Ring	1	5	KG240-05004	Flywheel Nut	1																																																																																																																
Ref	P/N	Description	Qty																																																																																																																																																							
1	KG240-06002	Valve Push Rod	2																																																																																																																																																							
2	KG240-06001	Valve Tappet	2																																																																																																																																																							
3	KG270-06100	Camshaft	1																																																																																																																																																							
Ref	P/N	Description	Qty																																																																																																																																																							
1	KG240-05002	Crankshaft Timing Gear	1																																																																																																																																																							
2	KG280GETI-05001	Crankshaft	1																																																																																																																																																							
3	KG160-05007	Key	1																																																																																																																																																							
4	KG205GETI-05105a	Flywheel Tooth Ring	1																																																																																																																																																							
5	KG240-05004	Flywheel Nut	1																																																																																																																																																							
 <p>KG280GETI-14000 Ignition System</p> <table border="1"> <thead> <tr> <th>Ref</th> <th>P/N</th> <th>Description</th> <th>Qty</th> </tr> </thead> <tbody> <tr> <td>1</td> <td>GB/T6177.1-2000</td> <td>Nut M10</td> <td>1</td> </tr> <tr> <td>2</td> <td>QC/T430-2005</td> <td>Spark Plug WR7DC</td> <td>1</td> </tr> <tr> <td>3</td> <td>GB/T5789-1986</td> <td>Bolt M6x16</td> <td>2</td> </tr> <tr> <td>4</td> <td>KG240-14300</td> <td>Oil Alert</td> <td>1</td> </tr> <tr> <td>5</td> <td>KG160-14002</td> <td>O-Seal Ring 1</td> <td>1</td> </tr> <tr> <td>6</td> <td>KG160-14003</td> <td>O-Seal Ring 2</td> <td>1</td> </tr> </tbody> </table>	Ref	P/N	Description	Qty	1	GB/T6177.1-2000	Nut M10	1	2	QC/T430-2005	Spark Plug WR7DC	1	3	GB/T5789-1986	Bolt M6x16	2	4	KG240-14300	Oil Alert	1	5	KG160-14002	O-Seal Ring 1	1	6	KG160-14003	O-Seal Ring 2	1		 <p>KG280GETI-03000 Cylinder Head Cover Assembly</p> <table border="1"> <thead> <tr> <th>Ref</th> <th>P/N</th> <th>Description</th> <th>Qty</th> </tr> </thead> <tbody> <tr> <td>1</td> <td>KG240-03003</td> <td>Cylinder Head Cover Fastening Bolt</td> <td>1</td> </tr> <tr> <td>2</td> <td>KG240-03004</td> <td>Cylinder Head Cover Fastening Bolt Back-Up Ring</td> <td>1</td> </tr> <tr> <td>3</td> <td>KG240-03100</td> <td>Cylinder Head Cover</td> <td>1</td> </tr> <tr> <td>4</td> <td>KG240-03001</td> <td>Cylinder Head Cover Seal Ring</td> <td>1</td> </tr> <tr> <td>5</td> <td>KG280GETI-03002a</td> <td>Vent Pipe</td> <td>1</td> </tr> </tbody> </table>	Ref	P/N	Description	Qty	1	KG240-03003	Cylinder Head Cover Fastening Bolt	1	2	KG240-03004	Cylinder Head Cover Fastening Bolt Back-Up Ring	1	3	KG240-03100	Cylinder Head Cover	1	4	KG240-03001	Cylinder Head Cover Seal Ring	1	5	KG280GETI-03002a	Vent Pipe	1																																																																																																				
Ref	P/N	Description	Qty																																																																																																																																																							
1	GB/T6177.1-2000	Nut M10	1																																																																																																																																																							
2	QC/T430-2005	Spark Plug WR7DC	1																																																																																																																																																							
3	GB/T5789-1986	Bolt M6x16	2																																																																																																																																																							
4	KG240-14300	Oil Alert	1																																																																																																																																																							
5	KG160-14002	O-Seal Ring 1	1																																																																																																																																																							
6	KG160-14003	O-Seal Ring 2	1																																																																																																																																																							
Ref	P/N	Description	Qty																																																																																																																																																							
1	KG240-03003	Cylinder Head Cover Fastening Bolt	1																																																																																																																																																							
2	KG240-03004	Cylinder Head Cover Fastening Bolt Back-Up Ring	1																																																																																																																																																							
3	KG240-03100	Cylinder Head Cover	1																																																																																																																																																							
4	KG240-03001	Cylinder Head Cover Seal Ring	1																																																																																																																																																							
5	KG280GETI-03002a	Vent Pipe	1																																																																																																																																																							
 <p>KG390GETI-b-07000 Air Intake System</p> <table border="1"> <thead> <tr> <th>Ref</th> <th>P/N</th> <th>Description</th> <th>Qty</th> </tr> </thead> <tbody> <tr> <td>1</td> <td>KG240-07004</td> <td>Carburetor Back-Up Ring</td> <td>1</td> </tr> <tr> <td>2</td> <td>KG390GETI-b-07001</td> <td>Air Filter Shell</td> <td>1</td> </tr> <tr> <td>3</td> <td>KG390GETI-07004</td> <td>Seal Gasket</td> <td>1</td> </tr> <tr> <td>4</td> <td>KG390GETI-07003</td> <td>Filter Element Fixing Bracket</td> <td>1</td> </tr> <tr> <td>5</td> <td>KG240GX-07002</td> <td>Filter Element</td> <td>1</td> </tr> <tr> <td>6</td> <td>KG390GETI-07002</td> <td>Air Filter Cover</td> <td>1</td> </tr> <tr> <td>7</td> <td>GB/T6177.1-2000</td> <td>Nut M6</td> <td>2</td> </tr> <tr> <td>8</td> <td>GB/T5789-1986</td> <td>Bolt M6x12</td> <td>1</td> </tr> </tbody> </table>	Ref	P/N	Description	Qty	1	KG240-07004	Carburetor Back-Up Ring	1	2	KG390GETI-b-07001	Air Filter Shell	1	3	KG390GETI-07004	Seal Gasket	1	4	KG390GETI-07003	Filter Element Fixing Bracket	1	5	KG240GX-07002	Filter Element	1	6	KG390GETI-07002	Air Filter Cover	1	7	GB/T6177.1-2000	Nut M6	2	8	GB/T5789-1986	Bolt M6x12	1		 <p>KG280-04000 Piston & Connecting Rod Assembly</p> <table border="1"> <thead> <tr> <th>Ref</th> <th>P/N</th> <th>Description</th> <th>Qty</th> </tr> </thead> <tbody> <tr> <td>1</td> <td>KG690-04001</td> <td>1st Compression Ring</td> <td>1</td> </tr> <tr> <td>2</td> <td>KG690-04002</td> <td>2nd Compression Ring</td> <td>1</td> </tr> <tr> <td>3</td> <td>KG690-04100</td> <td>Oil Ring</td> <td>1</td> </tr> <tr> <td>4</td> <td>KG240-04005</td> <td>Back-Up Ring</td> <td>2</td> </tr> <tr> <td>5</td> <td>KG240-04004</td> <td>Piston Pin</td> <td>1</td> </tr> <tr> <td>6</td> <td>KG240-04200</td> <td>Connecting Rod</td> <td>1</td> </tr> <tr> <td>7</td> <td>KG280-04003</td> <td>Piston</td> <td>1</td> </tr> </tbody> </table>	Ref	P/N	Description	Qty	1	KG690-04001	1st Compression Ring	1	2	KG690-04002	2nd Compression Ring	1	3	KG690-04100	Oil Ring	1	4	KG240-04005	Back-Up Ring	2	5	KG240-04004	Piston Pin	1	6	KG240-04200	Connecting Rod	1	7	KG280-04003	Piston	1																																																																																				
Ref	P/N	Description	Qty																																																																																																																																																							
1	KG240-07004	Carburetor Back-Up Ring	1																																																																																																																																																							
2	KG390GETI-b-07001	Air Filter Shell	1																																																																																																																																																							
3	KG390GETI-07004	Seal Gasket	1																																																																																																																																																							
4	KG390GETI-07003	Filter Element Fixing Bracket	1																																																																																																																																																							
5	KG240GX-07002	Filter Element	1																																																																																																																																																							
6	KG390GETI-07002	Air Filter Cover	1																																																																																																																																																							
7	GB/T6177.1-2000	Nut M6	2																																																																																																																																																							
8	GB/T5789-1986	Bolt M6x12	1																																																																																																																																																							
Ref	P/N	Description	Qty																																																																																																																																																							
1	KG690-04001	1st Compression Ring	1																																																																																																																																																							
2	KG690-04002	2nd Compression Ring	1																																																																																																																																																							
3	KG690-04100	Oil Ring	1																																																																																																																																																							
4	KG240-04005	Back-Up Ring	2																																																																																																																																																							
5	KG240-04004	Piston Pin	1																																																																																																																																																							
6	KG240-04200	Connecting Rod	1																																																																																																																																																							
7	KG280-04003	Piston	1																																																																																																																																																							
 <p>KG280GETI-02000 Cylinder Head Assembly</p> <table border="1"> <thead> <tr> <th>Ref</th> <th>P/N</th> <th>Description</th> <th>Qty</th> </tr> </thead> <tbody> <tr> <td>1</td> <td>KG240-02017</td> <td>Exhaust Pipe Stud</td> <td>2</td> </tr> <tr> <td>2</td> <td>KG240-02015</td> <td>Exhaust Pipe Gasket</td> <td>1</td> </tr> <tr> <td>3</td> <td>KG240-02005</td> <td>Exhaust Valve</td> <td>1</td> </tr> <tr> <td>4</td> <td>KG240-02004</td> <td>Intake Valve</td> <td>1</td> </tr> <tr> <td>5</td> <td>KG240-02014</td> <td>Intake Pipe Gasket</td> <td>1</td> </tr> <tr> <td>6</td> <td>KG280GETI-02017</td> <td>Carburetor Insulation Block</td> <td>1</td> </tr> <tr> <td>7</td> <td>KG240-02021</td> <td>Carburetor Gasket A</td> <td>1</td> </tr> <tr> <td>8</td> <td>KG280GETI-02022</td> <td>Carburetor Air Inlet Bumper Plate</td> <td>1</td> </tr> <tr> <td>9</td> <td>KG240GX-02023</td> <td>Carburetor Gasket B</td> <td>1</td> </tr> <tr> <td>10</td> <td>KG280GETI-02016</td> <td>Intake Pipe Stud</td> <td>2</td> </tr> <tr> <td>11</td> <td>KG240-02001</td> <td>Intake Valve Spring Seat</td> <td>1</td> </tr> <tr> <td>12</td> <td>KG240-02011b</td> <td>Push Rod Guiding Plate</td> <td>1</td> </tr> <tr> <td>13</td> <td>KG160-02007</td> <td>Rocker Arm Shaft Bolt</td> <td>2</td> </tr> <tr> <td>14</td> <td>KG240-02009</td> <td>Valve Rocker Arm</td> <td>2</td> </tr> <tr> <td>15</td> <td>KG160-02008</td> <td>Rocker Arm Shaft</td> <td>2</td> </tr> <tr> <td>16</td> <td>KG160-02016</td> <td>Rocker Arm Shaft Adjusting Nut</td> <td>2</td> </tr> <tr> <td>17</td> <td>KG240-02003</td> <td>Exhaust Valve Adjusting Gasket Block</td> <td>1</td> </tr> <tr> <td>18</td> <td>KG240-02002</td> <td>Exhaust Valve Spring Seat</td> <td>1</td> </tr> <tr> <td>19</td> <td>KG240-02006</td> <td>Valve Spring</td> <td>2</td> </tr> <tr> <td>20</td> <td>KG240-02100</td> <td>Cylinder Mechanism Parts</td> <td>1</td> </tr> <tr> <td>21</td> <td>KG240-02012</td> <td>Intake Valve Guiding Pipe Oil Seal</td> <td>1</td> </tr> <tr> <td>22</td> <td>KG240-02013</td> <td>Exhaust Valve Spring Bottom Seat</td> <td>1</td> </tr> </tbody> </table>	Ref	P/N	Description	Qty	1	KG240-02017	Exhaust Pipe Stud	2	2	KG240-02015	Exhaust Pipe Gasket	1	3	KG240-02005	Exhaust Valve	1	4	KG240-02004	Intake Valve	1	5	KG240-02014	Intake Pipe Gasket	1	6	KG280GETI-02017	Carburetor Insulation Block	1	7	KG240-02021	Carburetor Gasket A	1	8	KG280GETI-02022	Carburetor Air Inlet Bumper Plate	1	9	KG240GX-02023	Carburetor Gasket B	1	10	KG280GETI-02016	Intake Pipe Stud	2	11	KG240-02001	Intake Valve Spring Seat	1	12	KG240-02011b	Push Rod Guiding Plate	1	13	KG160-02007	Rocker Arm Shaft Bolt	2	14	KG240-02009	Valve Rocker Arm	2	15	KG160-02008	Rocker Arm Shaft	2	16	KG160-02016	Rocker Arm Shaft Adjusting Nut	2	17	KG240-02003	Exhaust Valve Adjusting Gasket Block	1	18	KG240-02002	Exhaust Valve Spring Seat	1	19	KG240-02006	Valve Spring	2	20	KG240-02100	Cylinder Mechanism Parts	1	21	KG240-02012	Intake Valve Guiding Pipe Oil Seal	1	22	KG240-02013	Exhaust Valve Spring Bottom Seat	1		 <p>KG280GETI-01000 Engine Block Assembly</p> <table border="1"> <thead> <tr> <th>Ref</th> <th>P/N</th> <th>Description</th> <th>Qty</th> </tr> </thead> <tbody> <tr> <td>1</td> <td>GB/T5789-1986</td> <td>Bolt M8-335</td> <td>9</td> </tr> <tr> <td>2</td> <td>KG280GETI-01006</td> <td>Crankcase Cover</td> <td>1</td> </tr> <tr> <td>3</td> <td>KG280GETI-01005</td> <td>Crankcase Cover Gasket</td> <td>1</td> </tr> <tr> <td>4</td> <td>KG160-01011</td> <td>Crankcase Cover Location Pin</td> <td>2</td> </tr> <tr> <td>5</td> <td>GB/T276-1994</td> <td>Rolling Bearing 6206</td> <td>2</td> </tr> <tr> <td>6</td> <td>KM168F-10008</td> <td>Oil Drain Screw Plug Gasket</td> <td>2</td> </tr> <tr> <td>7</td> <td>KG240-01007</td> <td>Oil Drain Screw Plug</td> <td>2</td> </tr> <tr> <td>8</td> <td>KG280GETI-01001</td> <td>Engine Block</td> <td>1</td> </tr> <tr> <td>9</td> <td>KM178F-01019</td> <td>Oil Seal</td> <td>2</td> </tr> <tr> <td>10</td> <td>KG240-01012</td> <td>Cylinder Head Location Pin</td> <td>2</td> </tr> <tr> <td>11</td> <td>KG280-01004</td> <td>Cylinder Head Gasket</td> <td>1</td> </tr> <tr> <td>12</td> <td>KG240-01003</td> <td>Cylinder Head Bolt</td> <td>4</td> </tr> <tr> <td>13</td> <td>KG280GETI-01015</td> <td>Oil Level Gauge</td> <td>1</td> </tr> <tr> <td>14</td> <td>KG240-01016</td> <td>Oil Level Gauge Gasket</td> <td>1</td> </tr> </tbody> </table>	Ref	P/N	Description	Qty	1	GB/T5789-1986	Bolt M8-335	9	2	KG280GETI-01006	Crankcase Cover	1	3	KG280GETI-01005	Crankcase Cover Gasket	1	4	KG160-01011	Crankcase Cover Location Pin	2	5	GB/T276-1994	Rolling Bearing 6206	2	6	KM168F-10008	Oil Drain Screw Plug Gasket	2	7	KG240-01007	Oil Drain Screw Plug	2	8	KG280GETI-01001	Engine Block	1	9	KM178F-01019	Oil Seal	2	10	KG240-01012	Cylinder Head Location Pin	2	11	KG280-01004	Cylinder Head Gasket	1	12	KG240-01003	Cylinder Head Bolt	4	13	KG280GETI-01015	Oil Level Gauge	1	14	KG240-01016	Oil Level Gauge Gasket	1
Ref	P/N	Description	Qty																																																																																																																																																							
1	KG240-02017	Exhaust Pipe Stud	2																																																																																																																																																							
2	KG240-02015	Exhaust Pipe Gasket	1																																																																																																																																																							
3	KG240-02005	Exhaust Valve	1																																																																																																																																																							
4	KG240-02004	Intake Valve	1																																																																																																																																																							
5	KG240-02014	Intake Pipe Gasket	1																																																																																																																																																							
6	KG280GETI-02017	Carburetor Insulation Block	1																																																																																																																																																							
7	KG240-02021	Carburetor Gasket A	1																																																																																																																																																							
8	KG280GETI-02022	Carburetor Air Inlet Bumper Plate	1																																																																																																																																																							
9	KG240GX-02023	Carburetor Gasket B	1																																																																																																																																																							
10	KG280GETI-02016	Intake Pipe Stud	2																																																																																																																																																							
11	KG240-02001	Intake Valve Spring Seat	1																																																																																																																																																							
12	KG240-02011b	Push Rod Guiding Plate	1																																																																																																																																																							
13	KG160-02007	Rocker Arm Shaft Bolt	2																																																																																																																																																							
14	KG240-02009	Valve Rocker Arm	2																																																																																																																																																							
15	KG160-02008	Rocker Arm Shaft	2																																																																																																																																																							
16	KG160-02016	Rocker Arm Shaft Adjusting Nut	2																																																																																																																																																							
17	KG240-02003	Exhaust Valve Adjusting Gasket Block	1																																																																																																																																																							
18	KG240-02002	Exhaust Valve Spring Seat	1																																																																																																																																																							
19	KG240-02006	Valve Spring	2																																																																																																																																																							
20	KG240-02100	Cylinder Mechanism Parts	1																																																																																																																																																							
21	KG240-02012	Intake Valve Guiding Pipe Oil Seal	1																																																																																																																																																							
22	KG240-02013	Exhaust Valve Spring Bottom Seat	1																																																																																																																																																							
Ref	P/N	Description	Qty																																																																																																																																																							
1	GB/T5789-1986	Bolt M8-335	9																																																																																																																																																							
2	KG280GETI-01006	Crankcase Cover	1																																																																																																																																																							
3	KG280GETI-01005	Crankcase Cover Gasket	1																																																																																																																																																							
4	KG160-01011	Crankcase Cover Location Pin	2																																																																																																																																																							
5	GB/T276-1994	Rolling Bearing 6206	2																																																																																																																																																							
6	KM168F-10008	Oil Drain Screw Plug Gasket	2																																																																																																																																																							
7	KG240-01007	Oil Drain Screw Plug	2																																																																																																																																																							
8	KG280GETI-01001	Engine Block	1																																																																																																																																																							
9	KM178F-01019	Oil Seal	2																																																																																																																																																							
10	KG240-01012	Cylinder Head Location Pin	2																																																																																																																																																							
11	KG280-01004	Cylinder Head Gasket	1																																																																																																																																																							
12	KG240-01003	Cylinder Head Bolt	4																																																																																																																																																							
13	KG280GETI-01015	Oil Level Gauge	1																																																																																																																																																							
14	KG240-01016	Oil Level Gauge Gasket	1																																																																																																																																																							