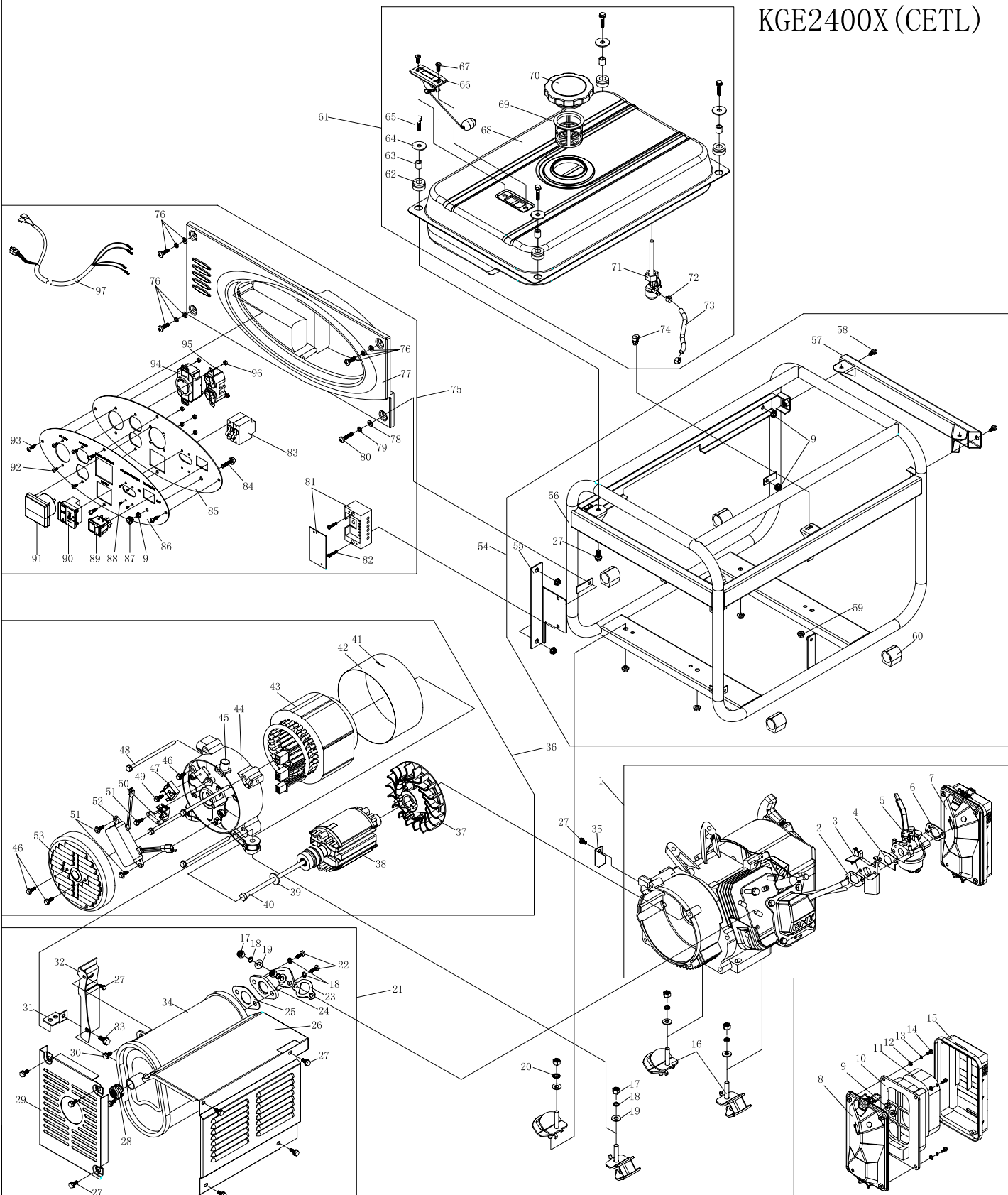


KGE2400X (CETL)



No.	Part No.	Description	Qty.	No.	Part No.	Description	Qty.	No.	Part No.	Description	Qty.	No.	Part No.	Description	Qty.
1	KG200G(1)X	Gasoline engine	1	27	GB/T5789-1986	Hexagonal bolt M6x14	10	53	DJH2/KT160	Rear cover of alternator	1	79	GB/T193-1987	Spring gasket 6	1
2	KG160-02013	Inlet pipe gasket	1	28	KG6500E-10300	Fireproof cap assembly	1	54	KG2500X-b-03000	Frame assembly	1	80	GB/T818-2000	Cross screw M6x30	1
3	KG160-02017	Insulation cushion of carburetor	1	29	KG2500X-10401	Muffler rear cover	1	55	KG2500X-03600	Bracket welded	1	81	FJ6/JHD	Junction box	1
4	KG160-02018	Insulation cushion A of carburetor	1	30	GB/T5789-1986	Hexagonal bolt M8x20	2	56	KG2500X-b-03100	Frame welded	1	82	GB/T823-1988	Cross screw M4x20	2
5	KG200GX-10000	Carburetor assembly	1	31	KG2500X-10600	Muffler fixed bracket welded II	1	57	KG2500X-03200	Left bracket of fuel tank	1	83	BSB1-30 2P	Breaker	1
6	KG160-07007	Carburetor gasket	1	32	KG2500X-10500	Muffler fixed bracket welded I	1	58	GB/5783-2000	Hexagonal bolt M8x16	2	84	GB/T5789-1986	Hexagonal bolt M6x20	1
7	KG200GX-07000	Inlet system	1	33	GB/T5789-1986	Hexagonal bolt M8x12	1	59	GB/T6177.1-2000	Hexagonal bolt M8	4	85	KG2400X/ST1A-13110	Control panel	1
8	KG160GX-07100	Air filter bottom case	1	34	KG2500X-10100	Muffler welded	1	60	KG2500X-03001	Shock sleeve of frame	4	86	KG2400X/ST1A-13120	A-style PVC label	1
9	GB/T6177.1-2000	Hexagonal nut M6	7	35	KG2500X-02001	Motor technical baffle plate	1	61	KG2500X-11000	Fuel system	1	87	3GF-LE-5004a	Grounding nut	1
10	KG160GX-07002	Bottom cover	1	36	KT-2.5	Alternator assembly	1	62	KG5500E-11002	Shock gasket	4	88	GB/T818-85	Cross screw M3x5	4
11	KG160GX-07003	Air filter element	1	37	F8/KT160	Fan	1	63	KG5500E-11001	Fan	4	89	RF1004	Boat shaped switch	1
12	GB/T197.1-2002	Flat gasket 5	4	38	KT160-01000-110	Rotor assembly	1	64	GB/T196.1-2002	Big flat gasket 8	4	90	WZ-22-a	DC Receptacle	1
13	GB/T193-1987	Spring gasket 5	4	39	KT160-00006	Piercing gasket	1	65	GB/5789-1986	Hexagonal bolt M6x25	4	91	MU-45(150V)	Voltmeter	1
14	GB/5783-2000	Hexagonal bolt M5x16	4	40	KT160-00005-110	Piercing bolt	1	66	KG2500X-11300	Oil scale assembly	1	92	GB/T818-2000	Cross screw M6x15	4
15	KG160GX-07004	Air filter top case	1				1	67	GB/T819.1-2000	Cross serew M5x10	2	93	GB/T845-1985	Cross screw ST4.2x15	4
16	KG2500X-12100	Insulation set	4	42	KT160-01003-110	Board	1	68	KG2500X-11100	Fuel tank welded	1	94	LS-30	A-style receptacle	1
17	GB/T6177.1-2000	Hexagonal nut M8	6	43	KT160-02000-110	Stator assembly	1	69	KG5500E-11005	Oil filling strainer	1	95	RU-22	A-style receptacle	1
18	GB/T193-1987	Spring gasket 8	7	44	KT160-00001	Rear cover	1	70	KG5500E-11200	Fuel tank cover	1	96	GB/T74.1-2000	Hexagonal bolt M4	8
19	GB/T197.1-2002	Flat gasket 8	6	45	KG2500X-02002	Circuit rubber cover	1	71	KG5500E-11400	Oil switch	1	97	KG2500X-13100	Wire assembly of control panel	1
20	GB/T862.2-1987	Tighten gasket 8	1	46	GB/5789-1986	Hexagonal bolt M5x12	3	72	KM168F-10013	Clip of oil pipe	2				
21	KG2500X-10000	Muffler assembly	1	47	KBP C2510	Rectifier	1	73	KG2500X-11001	Oil pipe	1				
22	GB/T5786-2000	Hexagonal bolt M8x1x25	2	48	KT160-00004-110	Bolt	4	74	KG2500X-11002	Shock gasket I of fuel tank	1				
23	KG160-02014	Exhaust pipe gasket	1	49	GB/5789-1986	Hexagonal bolt M5x20	1	75	KG2500X-13000	Electric system	1				
24	KG2500X-10200	Muffler curved pipe welded	1	50	D104	Carbon brush	1	76	GB/T1907.4.4-1988	Screw, gasket, flat gasket M6x20	3				
25	KG2500E-10001	Muffler curved pipe gasket	1	51	GB/5789-1986	Hexagonal bolt M5x16	3	77	KG2500X-09001	Rear cover of control panel	1				
26	KG2500X-10410a	Muffler cover welded	1	52	(2KW) AVR	AVR	1	78	GB/T197.1-2002	Flat gasket 6	1				