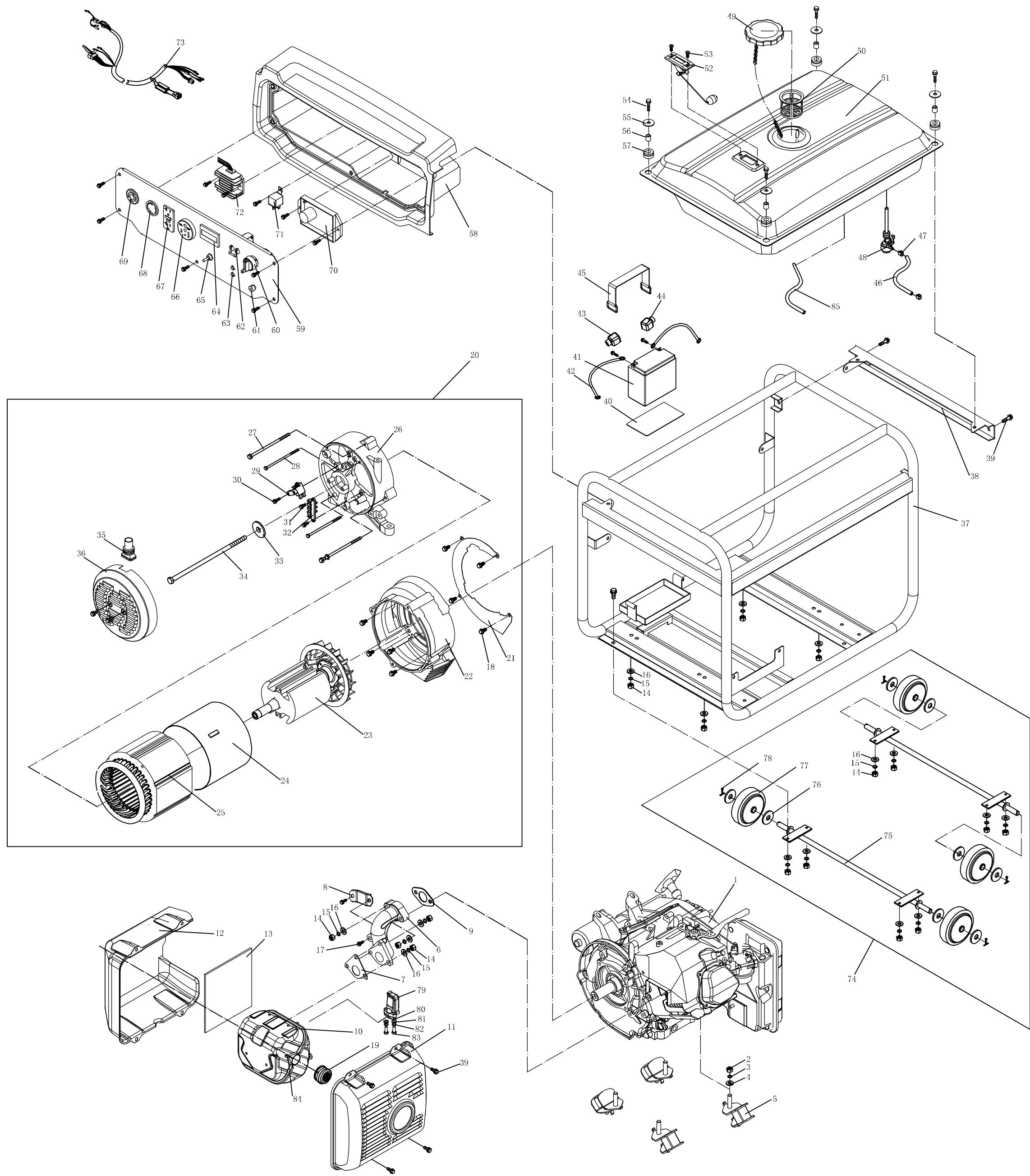


KGE6500ED(EPA) ASSEMBLE AND PARTS FIGURE



| No. | Code. | Description | Qty. | No. | Code. | Description | Qty. | No. | Code. | Description | Qty. | No. | Code. | Description | Qty. |
|-----|--------------------|--|------|-----|-------------------|--|------|-----|------------------------|--|------|-----|------------------------|--|------|
| 1 | GK400GEX-1(EPA) | Gasoline engine | 1 | 23 | KT190-a-01000 | Rotor assembly | 1 | 45 | KGE7000EC-17100 | Battery fixing belt | 1 | 67 | RU-22 | American siamese receptacle | 1 |
| 2 | GB/T6170-2000 | Nut M10 | 4 | 24 | KT190-a-00006 | Generator guard plate | 1 | 46 | KGE6500ED-1100004(EPA) | Oil pipe | 1 | 68 | L5-30 | American triplex receptacle | 1 |
| 3 | GB/T93-1987 | Spring washer 10 | 1 | 25 | KT190-a-02000 | Stator assembly | 1 | 47 | KM168F-10013 | Oil pipe clasp Ø9 | 2 | 69 | L14-30 | American quadruplex receptacle | 1 |
| 4 | GB/T97. 1-2002 | Plain washer 10 | 4 | 26 | KT190-00002 | Rear end cover | 1 | 48 | KGE6500ED-1140000 | Oil switch | 1 | 70 | eAVR50 V1.0 | DVR | 1 |
| 5 | KGE5500T1-12100 | Left shock pad | 4 | 27 | KT190-a-00007 | Stator fastening bolt | 4 | 49 | KGE6500ED-1120000(EPA) | Oil tank cover | 1 | 71 | HVF4-2C-Z30a DC12V | Relay | 1 |
| 6 | KGE6500ED-1020001 | Muffler angle pipe | 1 | 28 | KT190-a-00008 | Connecting bolt of stator rear end cover | 2 | 50 | KGE5500E-11005A | Oil filling strainer | 1 | 72 | KI-CDQ-10AH | Charging regulator | 1 |
| 7 | KG240-08002 | Muffler gasket | 1 | 29 | DI 04 | Carbon brush | 1 | 51 | KGE6500ED-1110000(EPA) | Oil tank | 1 | 73 | KGE6500ED-13210 | Harness assembly | 1 |
| 8 | KGE6500ED-1030000 | Reinforced plate of muffler angle pipe | 1 | 30 | GB/T5789-1986 | Bolt M5*16 | 1 | 52 | KGE5500E-11300 | Oil indicator assembly | 1 | 74 | KGE6500E | Axletree assembly (optional) | 1 |
| 9 | KG240-02015 | Air exhaust pipe gasket | 1 | 31 | GB/T5789-1986 | Bolt M5*20 | 5 | 53 | GB/T819. 1-2000 | Cross recessed countersunk flat head screw M5*10 | 2 | 75 | KGE6500E-18100a | Axletree weldment | 2 |
| 10 | KG390-a-08100(EPA) | Muffler weldment | 1 | 32 | KT190-00010 | Four post terminal block | 1 | 54 | GB/5789-1986 | Hexagon flange bolts M6*25 | 4 | 76 | GB/T97. 1-2002 | Plain washer 12 | 8 |
| 11 | KGE6500ED-1042001 | Muffler shield 2 | 1 | 33 | KT190-00004 | Bolt gasket | 1 | 55 | GB/T96. 1-2002 | Big plain washer 8 | 4 | 77 | 20-100-01 | 4" Polyester wheels Ø 100 | 4 |
| 12 | KGE6500ED-1041000 | Muffler shield 1 | 1 | 34 | KT190-a-00005 | Hexagon bolt | 1 | 56 | KGE5500E-11001 | Height bush | 4 | 78 | GB/T91-2000 | Split pin 3.2*40 | 4 |
| 13 | KGE6500ED-1000001 | Aluminum foil thermal insulation of muffler shield | 1 | 35 | KT190-00009 | Wire protect jacket | 1 | 57 | KGE5500E-11002 | Shock absorbing pad | 4 | 79 | KG105-b-08300 | Secondary air supplement valve | 1 |
| 14 | GB/T6170-2000 | Nut M8 | 6 | 36 | KT190-00003 | Rear hood | 1 | 58 | KGE6500ED-0900001 | Panel rear hood | 1 | 80 | KG105-b-08301 | Gasket of secondary air supplement valve | 1 |
| 15 | GB/T93-1987 | Spring washer 8 | 6 | 37 | KGE6500ED-0310000 | Body frame weldment | 1 | 59 | KGE6500ED-13110 | Instrument panel | 1 | 81 | GB/T97. 1-2002 | Washer 6 | 2 |
| 16 | GB/T97. 1-2002 | Plain washer 8 | 6 | 38 | KGE6500ED-0320000 | Oil tank rail 3 | 1 | 60 | JK425 | Electric starter | 1 | 82 | GB/T93-1987 | Washer 6 | 2 |
| 17 | GB/T5789-1986 | Bolt M6*16 | 1 | 39 | GB/T5789-1986 | Bolt M6*12 | 2 | 61 | 3GF-LE-5004a | Grounding nut | 1 | 83 | GB/T5781-2000 | Bolt M6*12 | 2 |
| 18 | GB/T5789-1986 | Bolt M5*10 | 4 | 40 | KGE6500E-a-17001 | Battery backing board | 1 | 62 | BSB1-30 2P 30A | Breaker | 1 | 84 | GB/T845-1985 | Screw ST4.2*13 | 1 |
| 19 | KG390-08300 | Spark arrester | 1 | 41 | 12V/10Ah | Battery | 1 | 63 | 98 Series 20A/30A | Overload protector | 2 | 85 | KGE6500ED-0100001(EPA) | Ventilation pipe of oil tank | 1 |
| 20 | KT-6/190 | Alternator assembly | 1 | 42 | AWG8 | Battery wire (one red, one black) | 2 | 64 | eAVR-DISP VI. 0 | eAVR monitor | 1 | 86 | | | |
| 21 | KT190-a-00011 | Air deflector | 1 | 43 | KGE7000T1-13306 | Battery protect jacket (black) | 1 | 65 | KN25-302 25A/250V | Option switch | 1 | 87 | | | |
| 22 | KT190-a-00001 | Front end cover | 1 | 44 | KGE7000T1-13305 | Battery protect jacket (red) | 1 | 66 | 50A 125V | American receptacle | 1 | 88 | | | |

WUXI KIPOR POWER CO., LTD.

Beside Jingyi Rd, Third-stage Development Section of Wangzhuang Industry Area, Wuxi High & New Technology Industry Development Zone. TEL: 0086-510-85205041 FAX: 0086-510-85203796